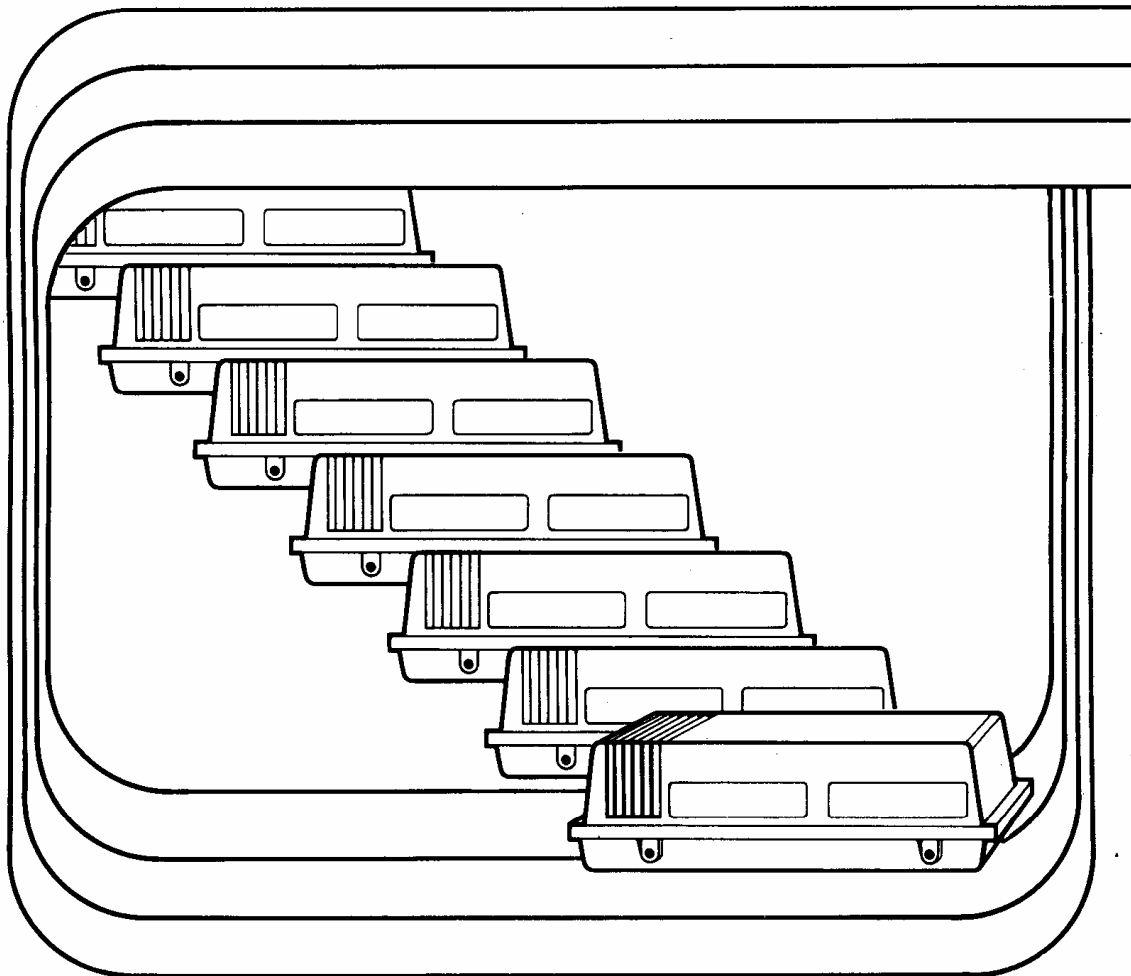


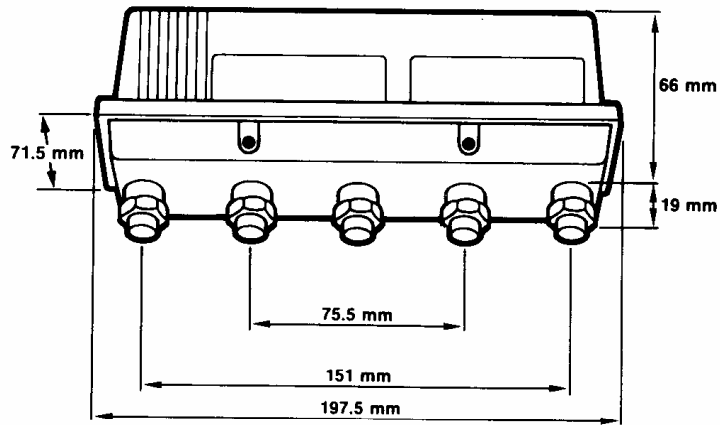
**LHC 0450 / LHC 0460 series      Splitters**

Splitters  
LHC 0450 series  
LHC 0460 series

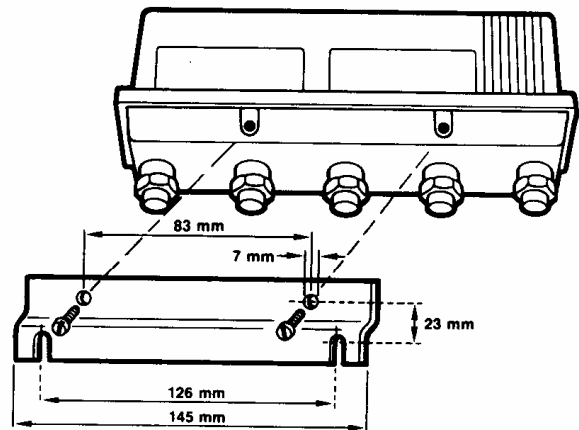
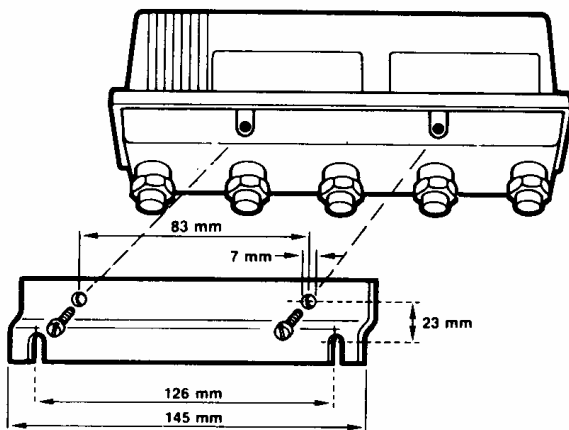
Installation  
Instructions  
Electronic  
Distribution  
Systems



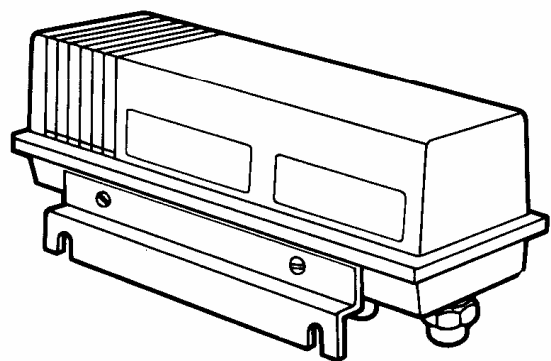
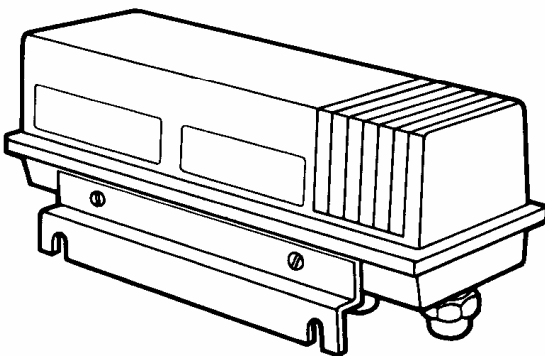
**PHILIPS**



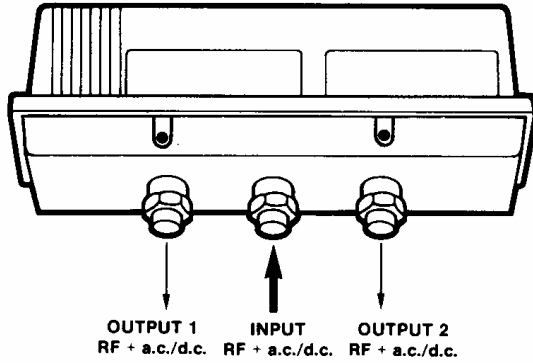
**GENERAL VIEW**



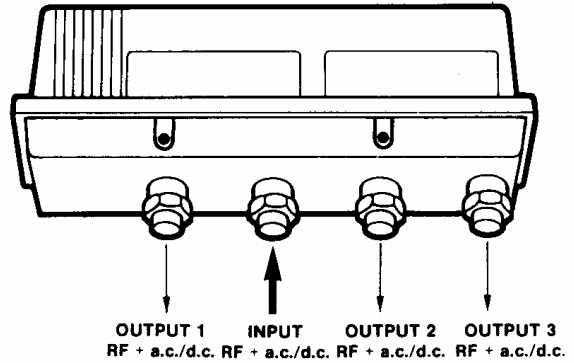
**FITTING MOUNTING BRACKET (ALTERNATIVE POSITIONS)**



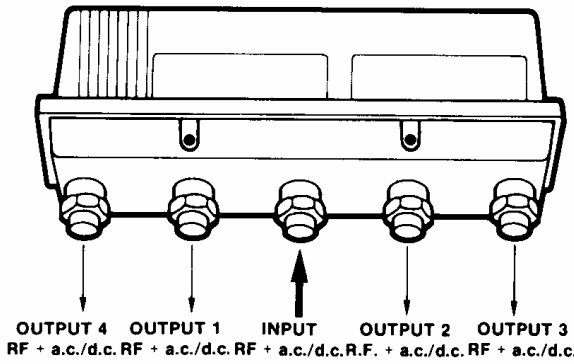
**SPLITTER FITTED WITH MOUNTING BRACKET**



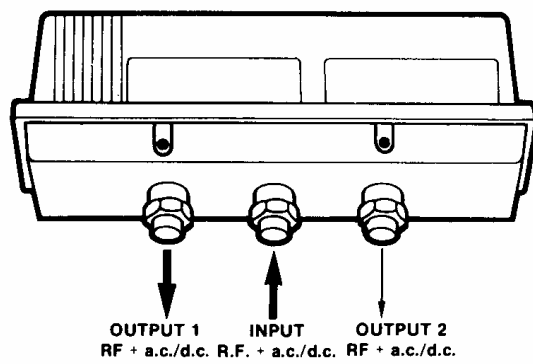
**LHC 0450/12**



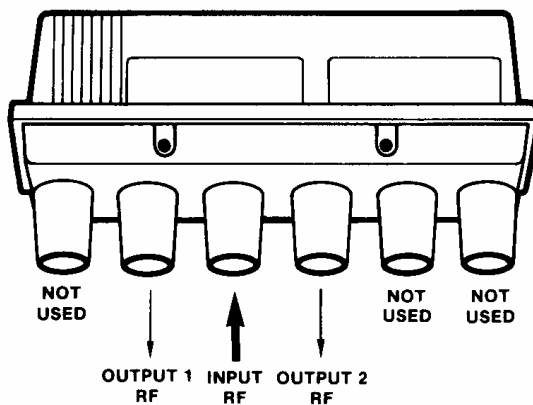
**LHC 0450/13**



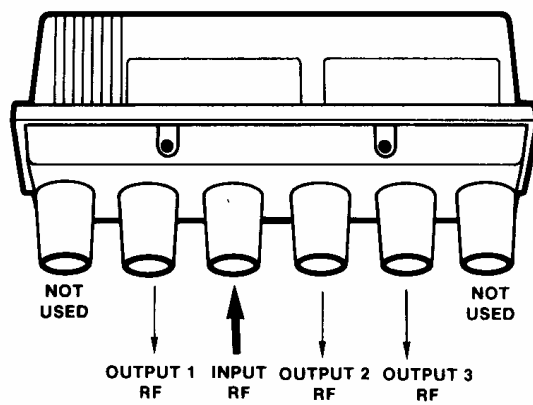
**LHC 0450/14**



**LHC 0455/61**



**LHC 0460/02**



**LHC 0460/03**

**OPERATING DATA**

frequency range ..... 10-862MHz  
voltage passing (LHC 0450 series only) ..... 42V a.c./d.c. max.  
current passing (LHC 0450 series only) ..... 8A max.  
weight..... 0.82kg  
input/output connectors ..... LHC 0450:IEC 169-2 (9.5mm)  
LHC 0460:Feed-Through (5/8", 24thd)  
weatherproofing ..... according to IP 54 (IEC 529)  
operating temperature ..... -20°C/+60°C

Full specifications can be found in the Data Sheet  
obtainable from Philips at the address below.

Connectors recommended for use with the LHC 0460/02 and LHC 0460/03  
are as follows:

type no.	suitable for cable types
LHC 0407/01 LHC 0407/61 LHC 0407/62	12dB:Pope 37045,Pope 37053,Pope 38012 6dB:Pope 00026 - SAS 6 6dB:Pope 37004,NKF Bamboo 6 Connectors for cable types not listed above available on special request

**CAUTION:** do not attempt to dismantle the splitters. This may result in changes to the  
guaranteed product specifications.

Coaxial cable recommended for use with these splitters may  
be obtained from:

NKF Kabel B.V.,  
P.O. Box 85,  
2740 AB, Waddinxveen,  
The Netherlands.  
Tel: 01828-2644 or 01828-8122  
Telex: 25585

Pope's Draad & Lampenfabrieken B.V.,  
P.O. Box 9,  
5900 AA, Venlo,  
The Netherlands.  
Tel: 077-91111  
Telex: 58109

N.V. Philips Gloeilampenfabrieken,  
Electro-Acoustics (ELA) Division,  
Electronic Distribution Systems,  
Commercial Department, Building HBS 3,  
Eindhoven, The Netherlands.  
Tel.: 040-75 61 36 or 75 68 22 or 75 70 81  
Telex: 51121